

RADIAL LEAD INDUCTORS

R SERIES



Term.W is
RoHS
compliant

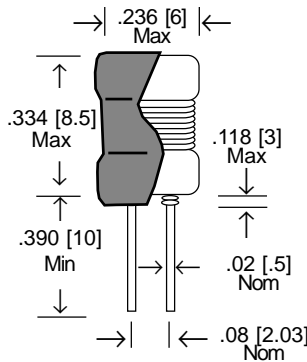


- Low cost
- Radial lead space-saving design
- See RS1014 for shielded design

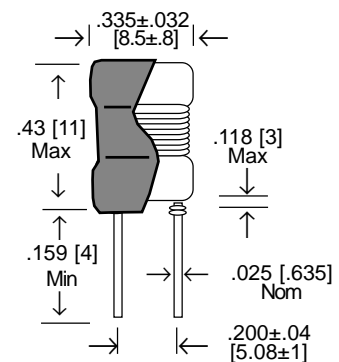
OPTIONS

- Extended inductance range to 120,000 μ H
- Custom sizes
- Improved Q and SRF levels
- Reduced DC Resistance

R0608 Economy



R0908 High Current



R0608		STD TOL	Q MIN	TEST FREQ ¹ (MHz)	SRF MIN (MHz)	RDC MAX (OHM)	IDC MIN ³ (mA)
INDUCTANCE μ H	CODE						
1.0	1R0	±20%	60	7.96	105	0.10	1030
1.2	1R2	±20%	60	7.96	90	0.15	980
1.5	1R5	±20%	60	7.96	75	0.20	920
1.8	1R8	±20%	60	7.96	70	0.22	880
2.2	2R2	±20%	60	7.96	65	0.24	830
2.7	2R7	±20%	60	7.96	60	0.27	790
3.3	3R3	±20%	60	7.96	50	0.30	750
3.9	3R9	±20%	60	7.96	45	0.30	720
4.7	4R7	±20%	60	7.96	40	0.35	670
5.6	5R6	±10%	60	7.96	35	0.35	640
6.8	6R8	±10%	60	7.96	30	0.40	620
8.2	8R2	±10%	60	7.96	25	0.40	590
10	100	±10%	60	2.52	20	0.45	550
12	120	±10%	60	2.52	15	0.50	530
15	150	±10%	60	2.52	13	0.55	500
18	180	±10%	60	2.52	11	0.60	480
22	220	±10%	60	2.52	10	0.65	460
27	270	±10%	50	2.52	9.0	0.75	430
33	330	±10%	50	2.52	8.0	0.85	410
33	330	±10%	50	2.52	7.5	0.90	390
47	470	±10%	50	2.52	7.0	1.0	370
56	560	±10%	50	2.52	6.5	1.2	350
68	680	±10%	50	2.52	6.0	1.3	340
82	820	±10%	50	2.52	5.5	1.5	320
100	101	±10%	50	0.796	5.0	1.7	305
120	121	±10%	50	0.796	4.8	1.9	290
150	151	±10%	50	0.796	4.4	2.1	275
180	181	±10%	50	0.796	4.2	2.3	185
220	221	±10%	45	0.796	3.8	2.5	175
270	271	±10%	45	0.796	3.6	2.75	165
330	331	±10%	45	0.796	3.3	4.68	155
390	391	±10%	45	0.796	3.0	6.0	145
470	471	±10%	55	0.796	2.8	6.5	140
560	561	±10%	55	0.796	2.4	8.5	135
680	681	±10%	55	0.796	2.2	9.0	125
820	821	±10%	55	0.796	2.0	9.6	120
1000	102	±10%	55	0.252	1.8	11.5	100

R0908		STD TOL	Q MIN	TEST FREQ ² (MHz)	SRF MIN (MHz)	RDC MAX (OHM)	IDC MIN ³ (mA)
INDUCTANCE μ H	CODE						
1.5	1R5	±20%	30	7.96	78.0	0.008	5400
2.2	2R2	±20%	30	7.96	63.0	0.010	4500
3.3	3R3	±20%	30	7.96	50.0	0.018	3600
4.7	4R7	±20%	30	7.96	41.0	0.022	3100
6.8	6R8	±20%	30	7.96	33.0	0.028	2500
10	100	±10%	60	2.52	27.0	0.043	2100
15	150	±10%	50	2.52	21.0	0.056	1700
22	220	±10%	50	2.52	17.0	0.086	1400
33	330	±10%	45	2.52	13.0	0.140	1100
47	470	±10%	40	2.52	11.0	0.170	960
68	680	±10%	35	2.52	9.0	0.280	790
100	101	±10%	55	0.796	7.2	0.330	660
150	151	±10%	40	0.796	5.7	0.560	530
220	221	±10%	30	0.796	4.5	0.720	440
330	331	±10%	25	0.796	3.6	1.100	360
470	471	±10%	25	0.796	2.9	1.700	300
680	681	±10%	25	0.796	2.3	2.300	250
1000	102	±10%	55	0.252	1.9	4.300	200

SPECIFICATIONS

Tolerance: ±5%, ±10%, ±20% (standard tolerances listed)
 Temperature Range: -40 to +105°C
 Temperature Rise: 20°C at rated current
 Test Frequency, Inductance: R0608 252KHz-7.96MHz
 R0908 1KHz
 Test Frequency, Q: R0608 & R0908 252KHz-7.96MHz

P/N DESIGNATION:

R0908 - 101 - K B W

RCD Type _____
 Inductance (μ H): 2 digits & multiplier, 1R0=1 μ H, 100=10 μ H, 101=100 μ H, 102=1000 μ H
 Tolerance Code: M=20%, K=10%, J=5%
 Packaging: B = Bulk (Standard), T = T&R
 Termination: W= Lead-free (Standard), Q= Tin/Lead (leave blank if either is acceptable)

¹Test frequency for inductance and Q measurements

²Test frequency for Q (R0908 inductance is measured at 1KHz)

³ Increased current ratings available; consult factory